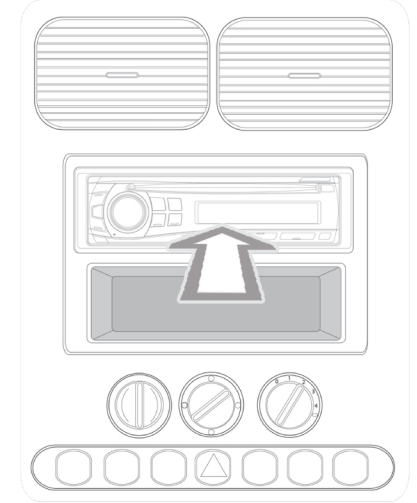
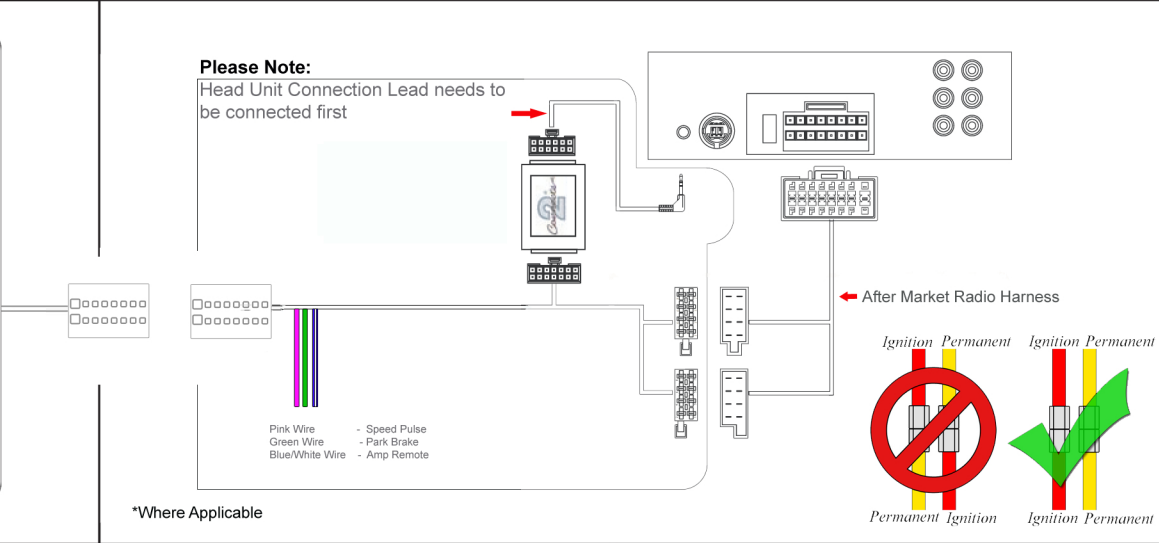
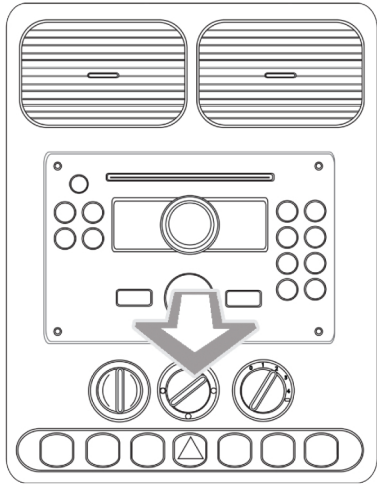


Installation Guide

Part No: CTSHO003.2 Honda Steering Wheel Control Interface



Vehicle Compatibility:

Honda Jazz	2007 - 2012
Honda Insight	2009 >
Honda Fit	2007 - 2012
Honda City	2008 >
Honda Freed	2008 >
Honda Aria	2008 - 2012
Honda Brio	2011 >

Steering Wheel Control Functions



Seek/Track+ Volume +



Source

Seek/Track- Volume -

* Note All Dates are guide lines only as specifications of vehicles change